

Entry / ECO

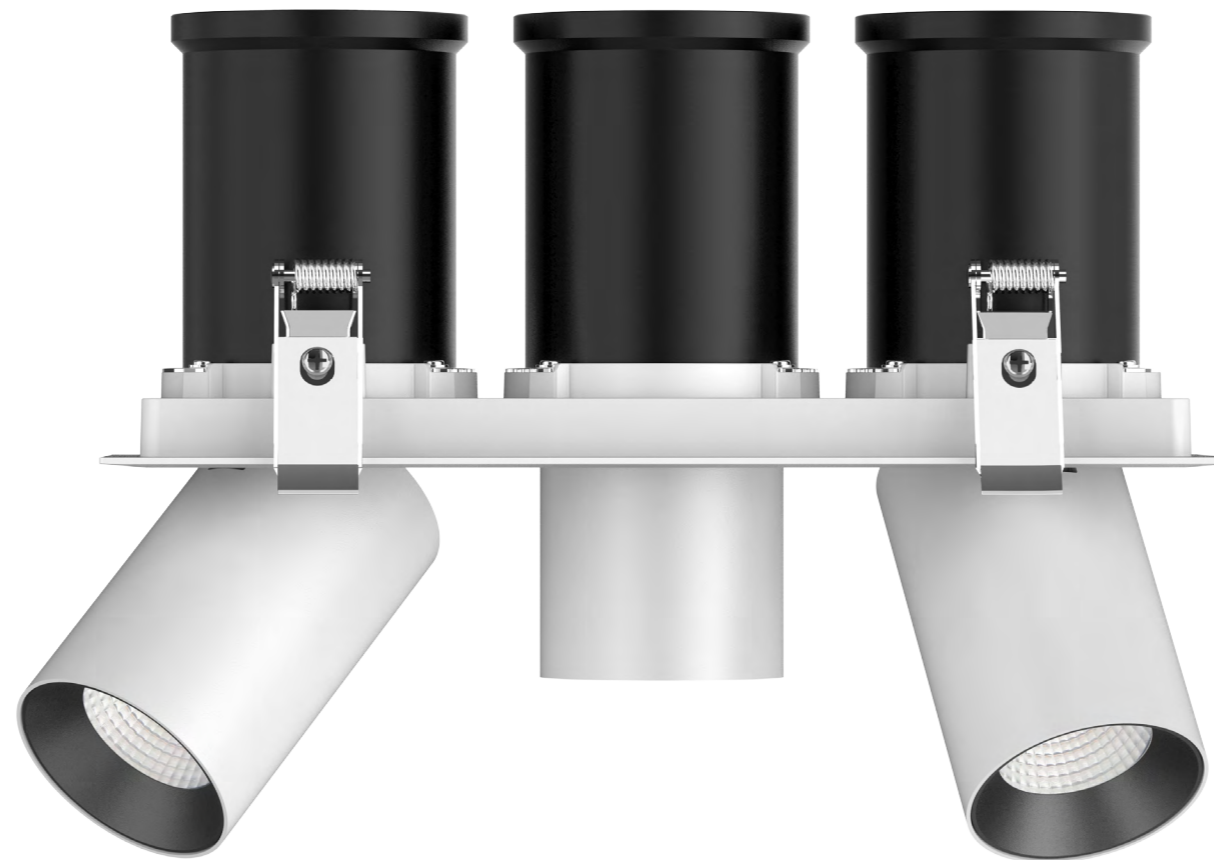
Standard / STD

Professional / PRO

ODM & OEM

Intelligent / INT

**STD**  
Specifications



LED Downlight

DL297A Series

interglo  
Lighting



## Introduction

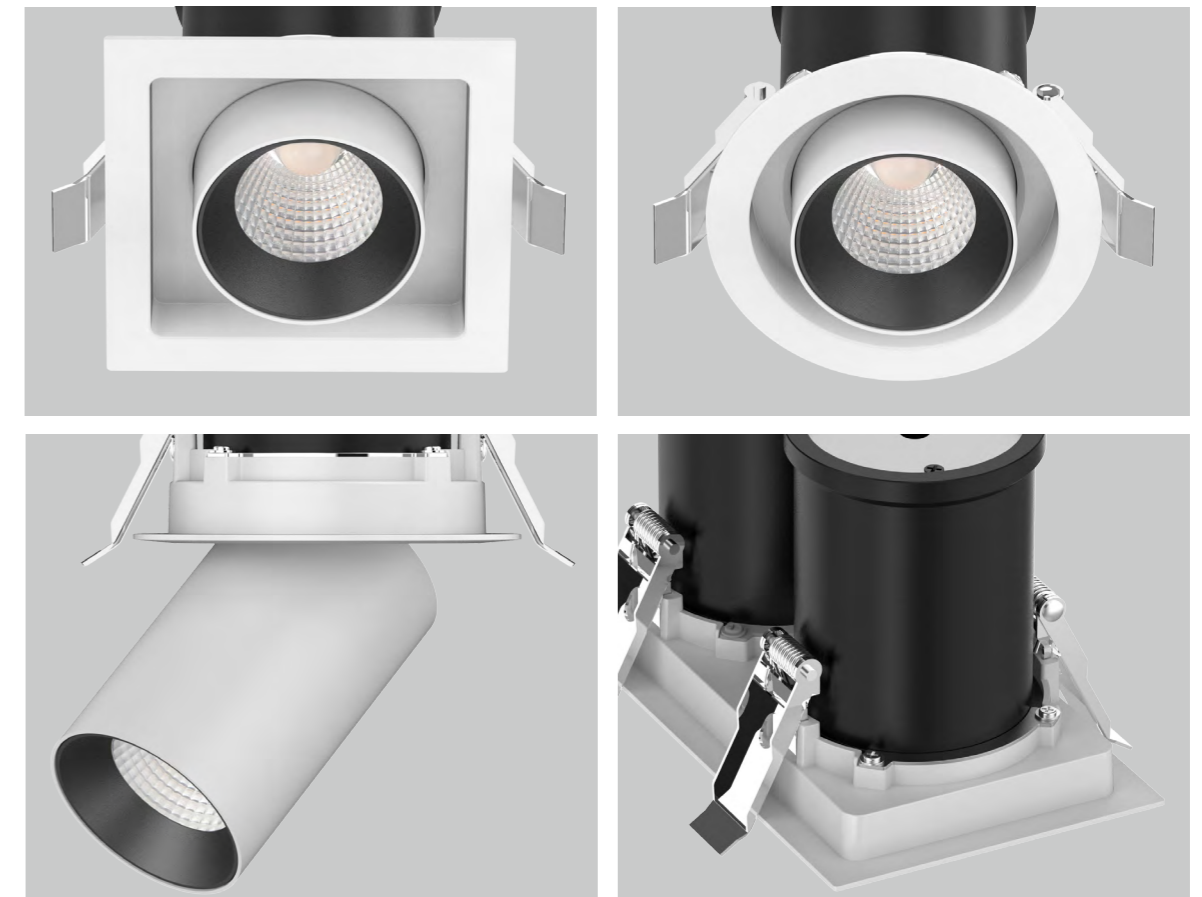
This downlight adopts high lumen COB light source, the special optic lens and reflector design offer a uniform light output and low glare effect. It is an extension design, 360 degree horizontal rotation and 68 degree vertically rotation meet more application lighting demand. What's more, the reflector is a modular design, very convenient for replacement. And it has round shape, square shape with single/ double/triple heads which is suitable for various application area.

## Features

- Extension design for lamp body, 360 degree horizontal rotation and 68 degree vertically rotation.
- Modular design for reflector, 24°/36° options.
- Shape option: Round, square with single/double/triple light heads.
- AL6063 aluminium housing provides a great thermal management.
- Special lens design offers low glare effect.
- RA80/RA90 options.
- External flicker free driver.
- Dimming way: Triac, 0-10V, DALI, Push dimming available.

## Application Areas

It is designed for general lighting applications in office, supermarket, shopping mall, restaurant, hotel, etc.



## Shape option



Round shape head

Extension design



Low glare effect

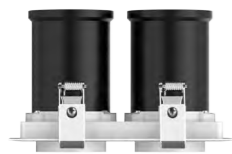


Square shape head

Extension design



Low glare effect



Double heads

Extension design



Low glare effect

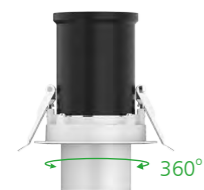


Triple heads

Extension design



Low glare effect

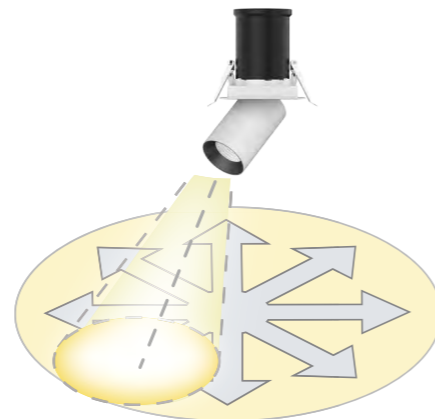


Horizontal rotation 360°

Extension design

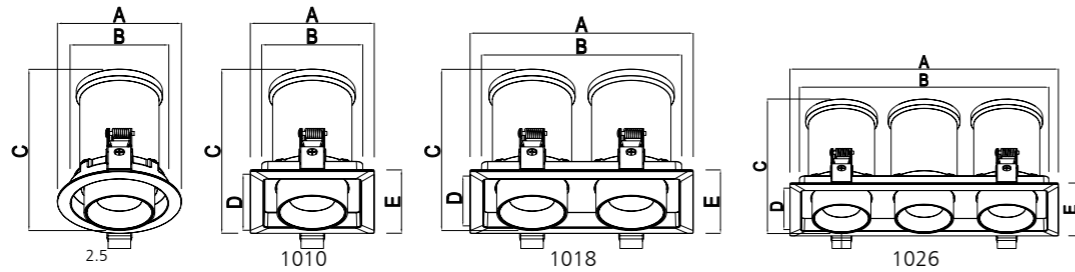


Vertically rotation 68°



## Technical Data Sheet

Code No.	DL297A-2.5-10W/15W	DL297A-1010-10W/15W	DL297A-1018-20W/30W	DL297A-1026-30W/42W/45W
Dimension(mm)	Ø100*114	100*100*114	180*100*114	260*100*114
Cutout (mm)	Ø83-Ø90	83-90*83-90	85-90*165-170	85-90*245-250
Watt(W)	10W/15W	10W/15W	20W/30W	30W/42W/45W
Rated Input Voltage(V)	AC230V			
Input Voltage(V)	AC220-240V			
LED Module Input	DC33-38V			
Light Source	COB			
SDCM	<6			
CCT(K)	2700K/3000K/4000K/5000K			
CCT Selection DIP Switch	-			
Luminous Flux (lm) ±5%	Non-DIM	1-CCT	10W: 750-900	20W: 1500-1800
			15W: 1100-1350	30W: 2250-2700
	DIM	3-CCT	10W: 700 - 850	20W: 1400-1800
			15W: 1050-1300	30W: 2100-2700
45W: 3400-4050				
30W: 2100-2550				
42W: 2950-3600				
CRI	80/90			
Beam Angle (°)	24°/36°			
UGR	UGR<19 @24°			
LED Driver	Built-out			
Dimming Option	Triac			
Sensor	NO			
Emergency Kits	NO			
Electrical Class	Class II			
Ingress Protection (IP Rating)	IP20			
Impact Resistance (IK Rating)	-			
Product Finishing(Base)	White RAL9016/Black RAL9005			
Materials of Optics	PC			
Materials of Housing	Aluminum			
Lifetime (hr)	50,000h			
Glow wire test (°C)	850°C			
Operating Temp. (°C)	-20°C ~40°C			
Storage Temp. (°C)	-20°C ~65°C			
Installation	Recessed			



## Measurement

Code	Dimension(mm)					Size(mm)	Product Weight (Kg)		Package weight (Kg)		Carton Size (cm)	Qty/CTN	20GP (pcs)	40HQ (pcs)
	A	B	C	D	E		N.W/PC	G.W/PC	N.W/CTN	G.W/CTN				
DL297A-2.5-10W/15W	Ø100	Ø82	114	-	-	Ø100*114	0.5	0.56	13.4	14.3	58*19.5*47.5	24	12480	28512
DL297A-1010-10W/15W	100	82	114	82	100	100*100*114	0.5	0.56	13.4	14.3	58*19.5*47.5	24	12480	28512
DL297A-1018-20W/30W	180	162	114	82	100	180*100*114	0.9	1.05	12.6	13.4	46.5*31.5*47.5	12	4608	10968
DL297A-1026-30W/42W/45W	260	242	114	82	100	260*100*114	1.5	1.69	10.1	10.9	46.5*32*47.5	6	2304	5532

## Driver Datasheet (Non-dimmable )

Total load wattage		10W	15W	20W	30W	45W
Output	Output Voltage range	DC30-40V				
	Rated output current	250mA	400mA	550mA	800mA	1200mA
	Line Regulation	±5%				
	Setup, Rise Time	<0.5S				
	Flickering Index	0.8%(NO RISK)			0.5%(NO RISK)	
	Input	Input Voltage	AC220-240V			
Rated Input Voltage(V)		AC230V				
Frequency		50/60Hz				
Input Current		≤0.06A	≤0.1A	≤0.13A	≤0.17A	≤0.25A
Rated Input Current		≤0.05A	≤0.09A	≤0.12A	≤0.15A	≤0.22A
Power Factor		0.9				
THD		<20%@AC230V				
Efficiency		≥86%	≥88%	≥90%		
No load wattage		≤0.5W				
Protection		Short circuit protection	Pass			
	Over voltage protection	Pass				
	Over temperature protection	Pass				
Safety &EMC	Withstand voltage	I/P-O/P:3.75KVac, <5mA 60S;				
	Isolation Resistance	I/P-O/P: 500VDC, ≥100M Ω				
	Surge	IEC/EN61000-4-5( P<25W; L-N:500V);			IEC/EN61000-4-5 (P≥25w L-N:1KV)	
	EMC Emission	EN55015, EN61000-3-2				
EMC Immunity	EN61000-4-2,3,4,5,6,8,11; EN61547					

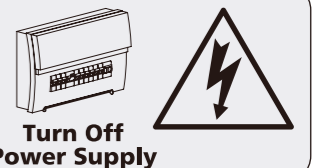
## Driver Datasheet (Triac Dimmable )

Total load wattage		10W	15W	20W	30W	42W
Output	Output Voltage range	DC30-40V				
	Rated output current	250mA	370mA	500mA	750mA	1050mA
	Line Regulation	±5%				
	Setup, Rise Time	<0.5S				
	Flickering Index	5.5%(LOW RISK)				
	Input	Input Voltage	AC200-240V			
Rated Input Voltage(V)		AC230V				
Frequency		50Hz				
Input Current		0.06A	0.09A	0.12A	0.17A	0.24A
Rated Input Current		0.05A	0.08A	0.1A	0.15A	0.21A
Power Factor		0.9				
THD		<20%@AC230V				
Efficiency		≥80%	≥83%	≥84%		
No load wattage		<1W				
Protection		Short circuit protection	Pass			
	Over voltage protection	Pass				
	Over temperature protection	Pass				
Safety &EMC	Withstand voltage	I/P-O/P:3.75KVac, <5mA 60S				
	Isolation Resistance	I/P-O/P: 500VDC, ≥100M Ω				
	Surge	IEC/EN61000-4-5( P<25W; L-N:500V);			IEC/EN61000-4-5 (P≥25w L-N:1KV)	
	EMC Emission	EN55015, EN61000-3-2				
EMC Immunity	EN61000-4-2,3,4,5,6,8,11; EN61547					

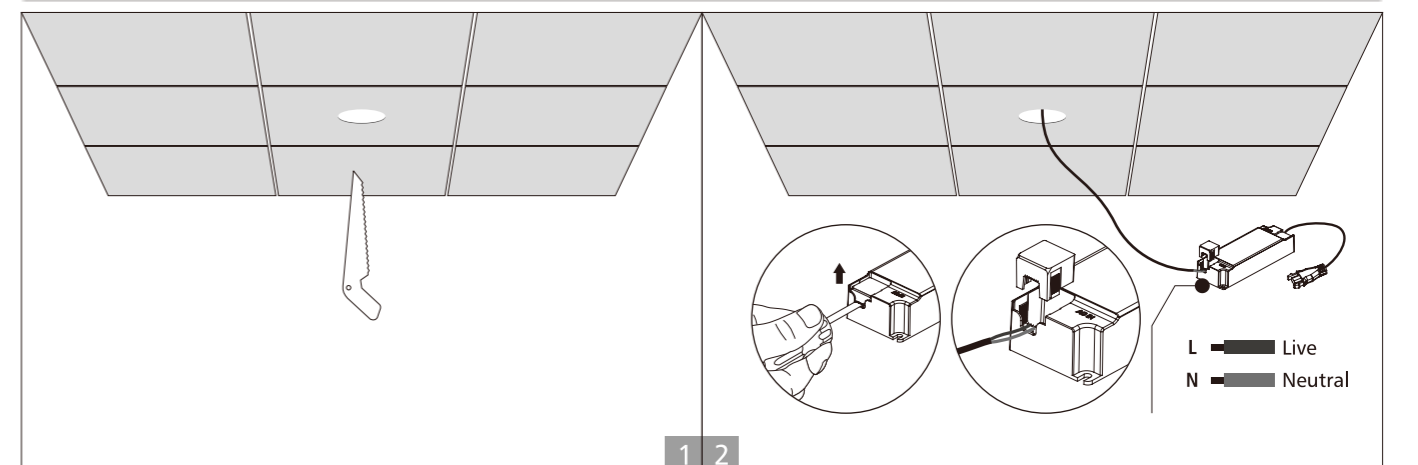
### Installation Procedure

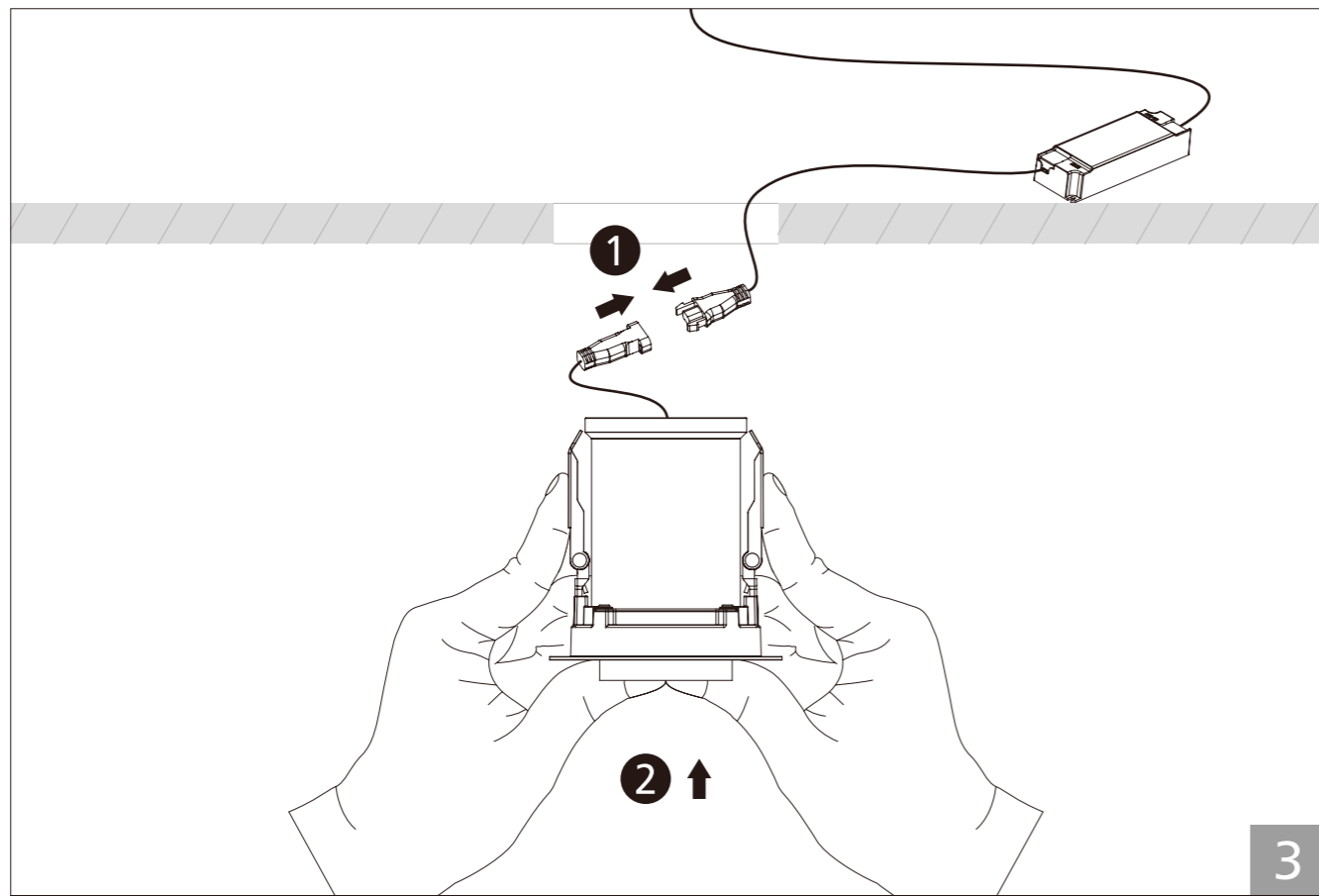
#### WARNING

- 1.Switch off power supply before installation / maintenance.
- 2.Switch on only after complete installation and examination of the circuit.
- 3.Professional electrician for installation and maintenance only.

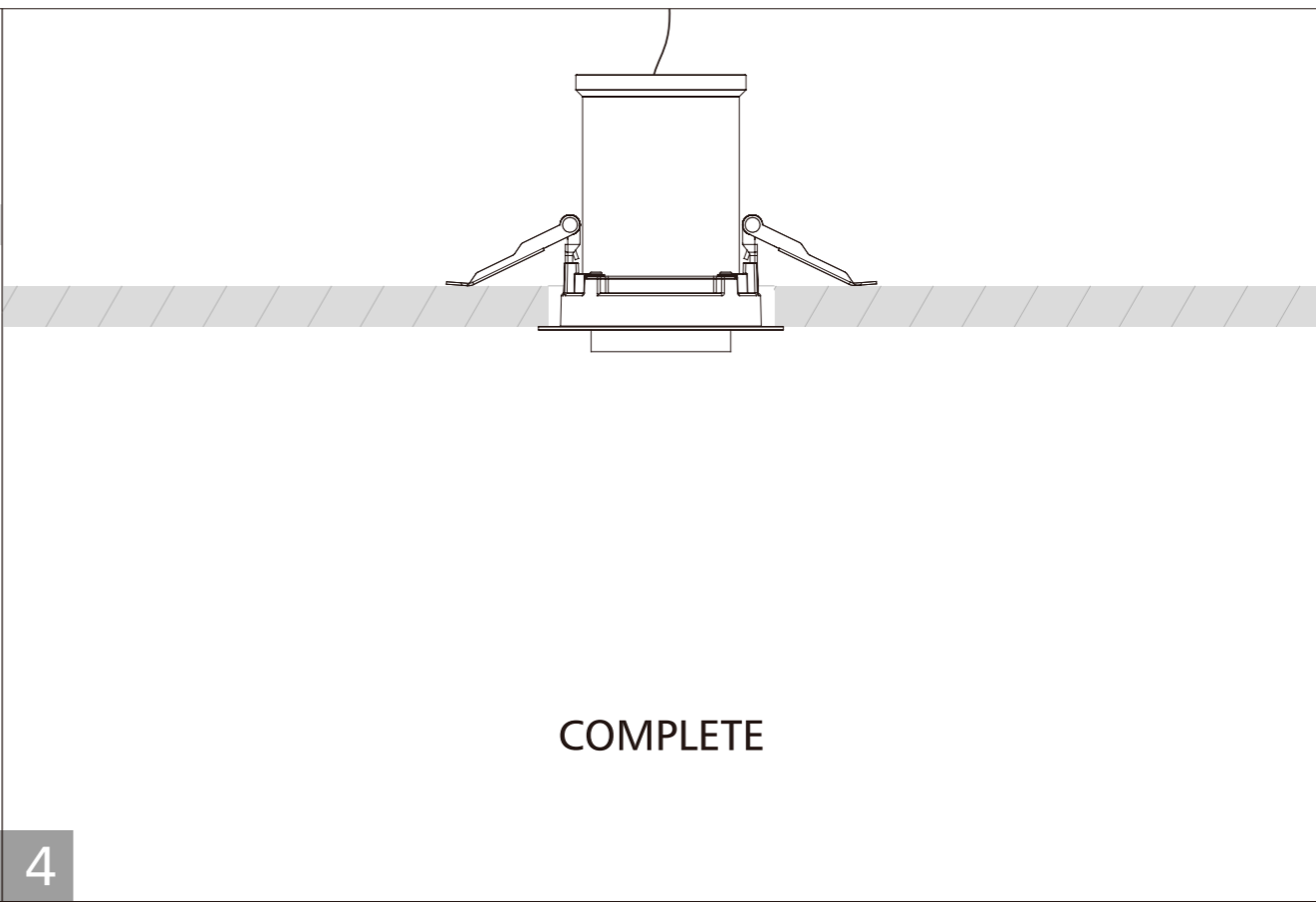


### Downlight with external driver

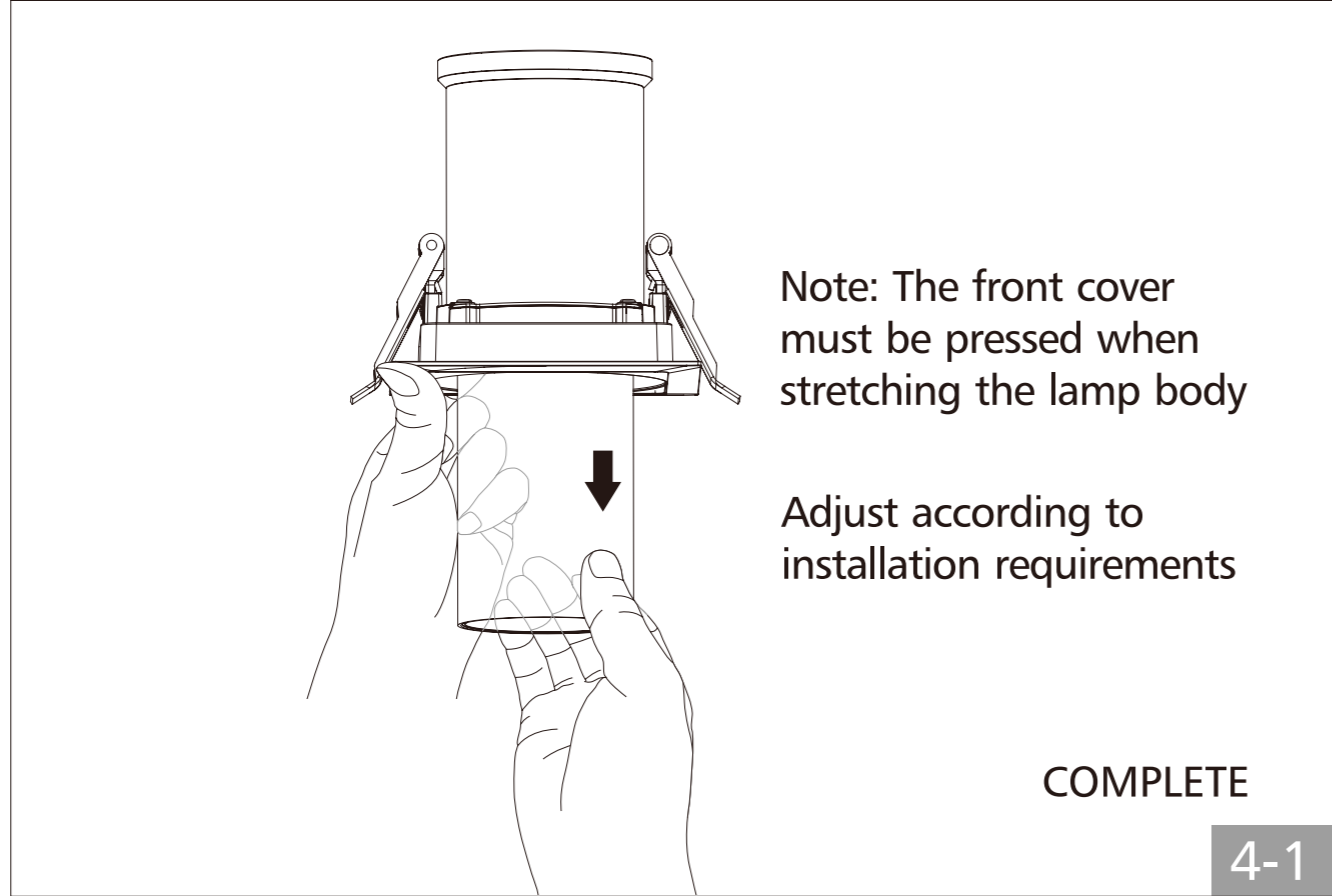




3 4



COMPLETE

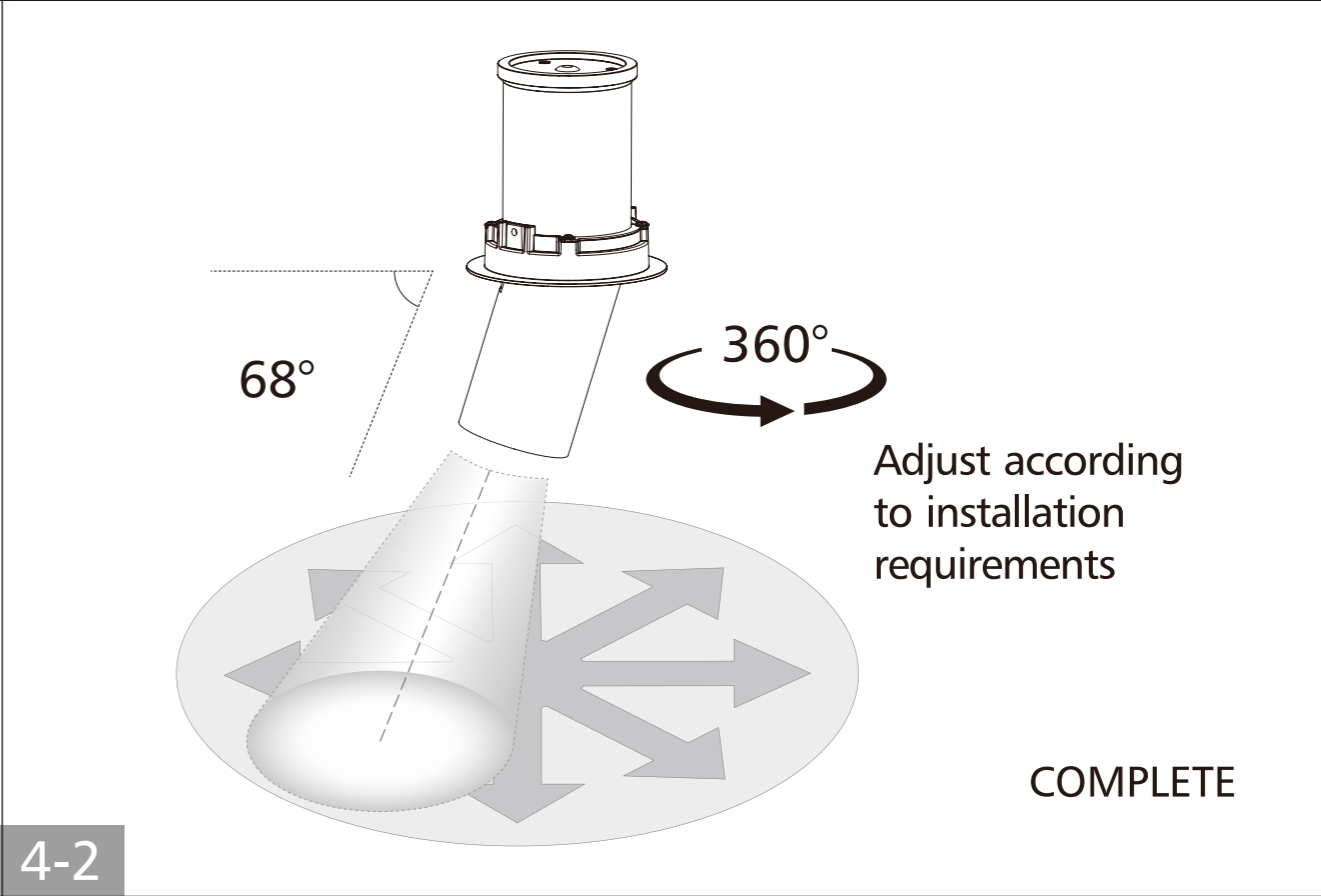


Note: The front cover must be pressed when stretching the lamp body

Adjust according to installation requirements

COMPLETE

4-1 4-2



Adjust according to installation requirements

COMPLETE

**ECO**  
Specifications

**STD**  
Specifications

**PRO**  
Specifications

**ODM**  
Specifications

  
**INT**  
Intelligent

  
**interglo**  
Lighting

▼ [www.interglo.com.au](http://www.interglo.com.au) [sales@interglo.com.au](mailto:sales@interglo.com.au) TEL: 03 9518 5111 ▼

Add: 36 Axis Crescent Dandenong South, 3175