

Entry / ECO

Standard / STD

Professional / PRO

ODM & OEM

Intelligent / INT



LED Wall Light

WL59(AC230V) Series





## Introduction

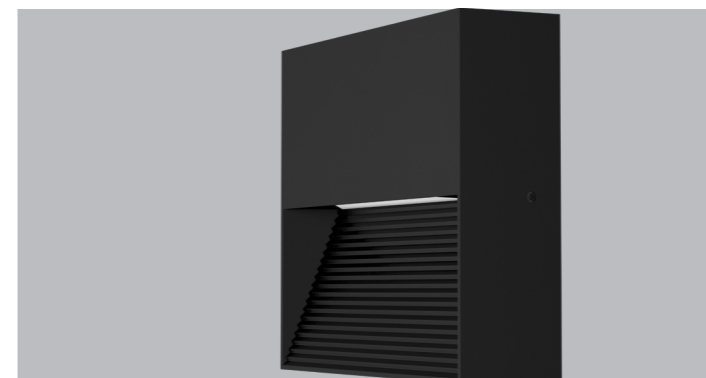
This is a compact wall light with wall mount installation, with round/square/rectangular shape options. Combines with line design to reach an indirect lighting and low glare effect. IP65 Waterproof for both indoor and outdoor application. Aluminum and anti-UV housing offers IK08 high protection level.

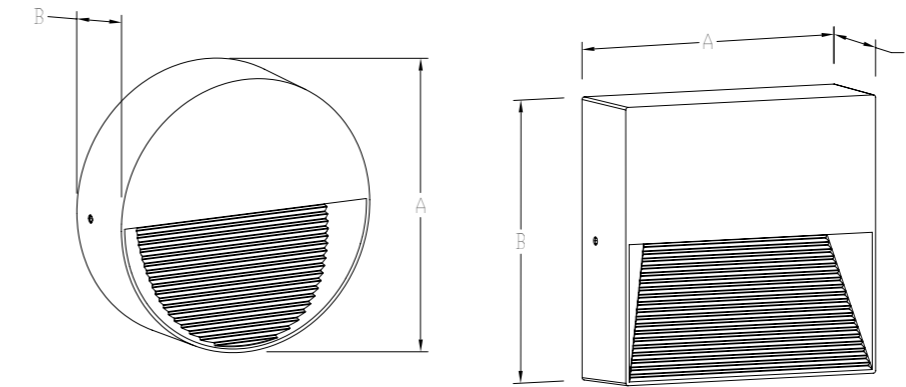
## Features

- Round/square/rectangular shape options.
- Indirect lighting with hidden LED chip, low UGR.
- Aluminum housing provides a great thermal management.
- IP65 IK08 protection for both indoor and outdoor application.
- Loop in/out wire design.

## Application Areas

It is designed for general lighting applications. It is also widely used for public areas, such as stairway, lobby, reception, corridors etc.





## Technical Data Sheet

Code No.	WL59A-5W	WL59A-8W	WL59B-5W	WL59B-8W	WL59C-5W	WL59C-10W		
Dimension(mm)	D114*H40	D180*H37	L114*W114*H40	L180*W180*H40	L114*W180*H35	L250*W114*H37		
Cutout (mm)	-							
Watt(W)	5W	8W	5W	8W	5W	10W		
Rated Input Voltage(V)	AC220-240V							
Input Voltage(V)	AC198-264V							
LED Module Input	-							
Light Source	SMD 2835							
SDCM	<6							
CCT(K)	1-CCT: 3000K/4000K/5000K/5700K							
CCT Selection DIP Switch	NO							
Luminous Flux (lm) ±5%	Non-DIM	1-CCT	130-170	240-320	130-170	240-320	130-170	340-450
	DIM		-					
	Non-DIM	3-CCT	-					
	DIM		-					
CRI	Ra>80							
Beam Angle (°)	60°	70°	60°	70°	70°	70°		
UGR	-							
LED Driver	Built-in							
Dimming Option	-							
Sensor	-							
Emergency Kits	-							
Electrical Class	Class I (AC200-240V)							
Ingress Protection (IP Rating)	IP65							
Impact Resistance (IK Rating)	IK08							
Product Finishing(Base)	RAL9005							
Materials of Optics	Glass							
Materials of Housing	Aluminum ADC12							
Lifetime (hr)	50,000h							
Glow wire test (°C)	850°C							
Operating Temp. (°C)	-20°C ~45°C							
Storage Temp. (°C)	-20°C ~65°C							
Installation	Wall mount							

## Measurement

Code	Dimension(mm)			Size(mm)	Product Weight (Kg)		Package weight (Kg)		Carton Size(cm)	Qty/CTN	20GP (pcs)	40HQ (pcs)
	A	B	C		N.W/PC	G.W/PC	N.W/CTN	G.W/CTN				
WL59A-5W	114	40	-	114*40	0.33	0.45	11.88	17.1	52*34.5*39.5	36PCS	14400	32544
WL59A-8W	180	37	-	180*37	0.62	0.77	14.88	19.5	50.5*47.5*39.5	24PCS	6624	14976
WL59B-5W	114	114	40	114*114*40	0.39	0.48	14.04	18.2	52*34.5*39.5	36PCS	14400	32544
WL59B-8W	180	180	40	180*180*40	0.74	0.89	17.76	22.4	50.5*47.5*39.5	24CS	6624	14976
WL59C-5W	114	180	35	114*180*35	0.525	0.65	6.3	9.6	54.5*34.5*28	12PCS	5796	13536
WL59C-10W	250	114	37	250*114*37	0.75	0.9	9	11.5	59.5*34.5*28	12PCS	5796	13536

## Driver Datasheet (Non-dimmable)

Total load wattage		5W	8W	10W
Output	Rated output current	65mA±5%	100mA±5%	130mA±5%
	Output Voltage range	DC60-75V		
	Line Regulation	±5%		
	Setup, Rise Time	≤0.5S		
	Flickering Index	0.8%(NO RISK)		
Input	Rated Input Voltage	AC220-240V		
	Input Voltage	AC198-264V		
	Frequency	50/60Hz		
	Rated Input Current	≤0.02A	≤0.04A	≤0.05A
	Input Current	≤0.03A	≤0.05A	≤0.06A
	Power Factor	0.9		
	THD	-		
	Efficiency	≥87%		
Protection	No load wattage	≤0.5W		
	Short circuit protection	Pass		
	Over voltage protection	Pass		
Safety & EMC	Over temperature protection	Pass		
	Withstand voltage	-		
	Isolation Resistance	-		
	Surge	IEC61000-4-5(L-N:0.5KV, L/N-PE:1KV)		
EMC Emission	EN55015, EN61000-3-2			
	EN61000-4-2,3,4,5,6,8,11; EN61547			

## Installation Procedure

### WARNING

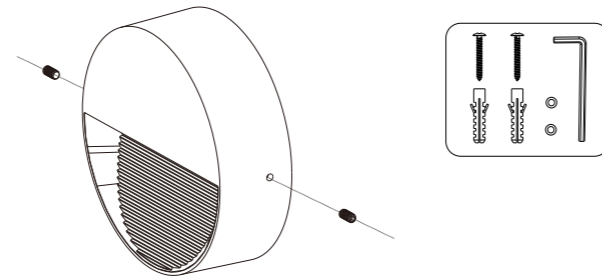
1. Switch off before installation.
2. Switch on only after complete installation and examination of the circuit.
3. Professional electrician for installation and maintenance only.



WARNING — RISK OF OVERHEATING OR FIRE IF THE CLEARANCE DISTANCES ARE COMPROMISED  
 WARNING — THIS LUMINAIRE IS NOT SUITABLE FOR INSTALLATION IN LOCATIONS WHERE THERMAL INSULATION IS PRESENT, OR MAY REASONABLY BE EXPECTED TO BE INSTALLED IN THE FUTURE, OR WHERE THERE IS A LIKELIHOOD OF OTHER COMBUSTIBLE MATERIAL, E.G. LEAVES OR VERMIN DEBRIS, ETC. COLLECTING ON OR AROUND THE LUMINAIRE. IT IS NOT SUITABLE FOR DOMESTIC INSTALLATIONS OR INSTALLATION IN RESIDENTIAL AREAS OF NON-DOMESTIC INSTALLATIONS (RESIDENTIAL INSTITUTIONS, HOTELS, BOARDING HOUSES, HOSPITALS, ACCOMMODATION HOUSES, MOTELS, HOSTELS AND THE LIKE).

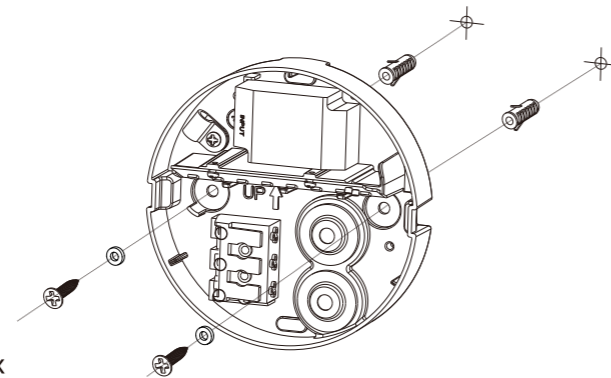
## Installation

### Step 1



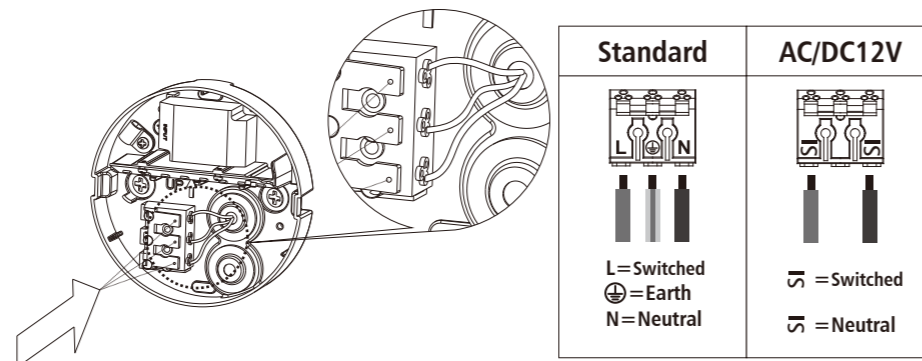
Remove the side cap screws with a hex wrench, then open the cover.

### Step 2



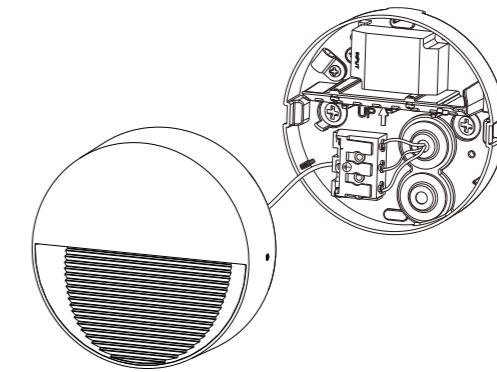
Turn off power supply, according to lamp base mounting holes, drill holes in needed position, then fix the lamp base on the wall.

### Step 3



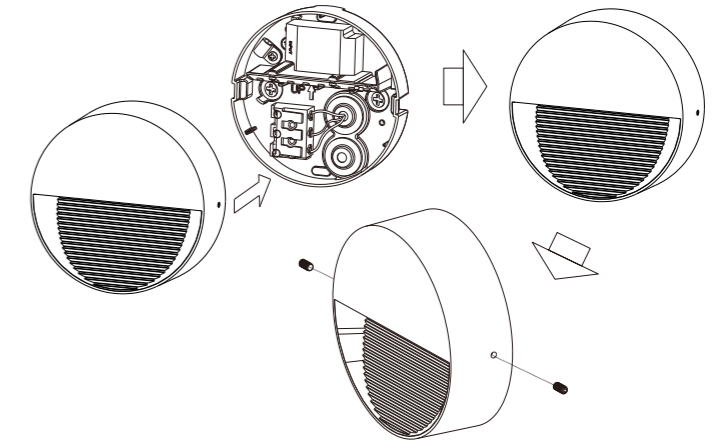
Connect AC wires correspondingly.

### Step 4



Connect the earth wire to the front cover.

### Step 5

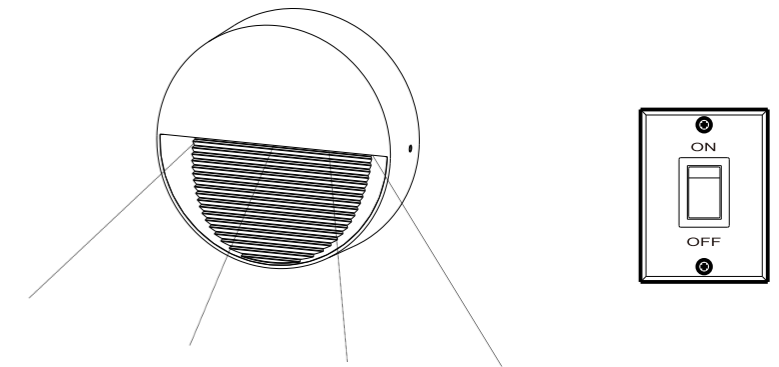


Fix the cover with side cap screws.

### Step 6

The light source of this luminaire is not replaceable; when the light source reaches its end of life the whole luminaire shall be replaced.

Turn on.



**ECO**  
Specifications

**STD**  
Specifications

**PRO**  
Specifications

**ODM**  
Specifications

  
**INT**  
Intelligent

  
**interglo**  
Lighting

▼ [www.interglo.com.au](http://www.interglo.com.au) [sales@interglo.com.au](mailto:sales@interglo.com.au) TEL: 03 9518 5111 ▼

Add: 36 Axis Crescent Dandenong South, 3175